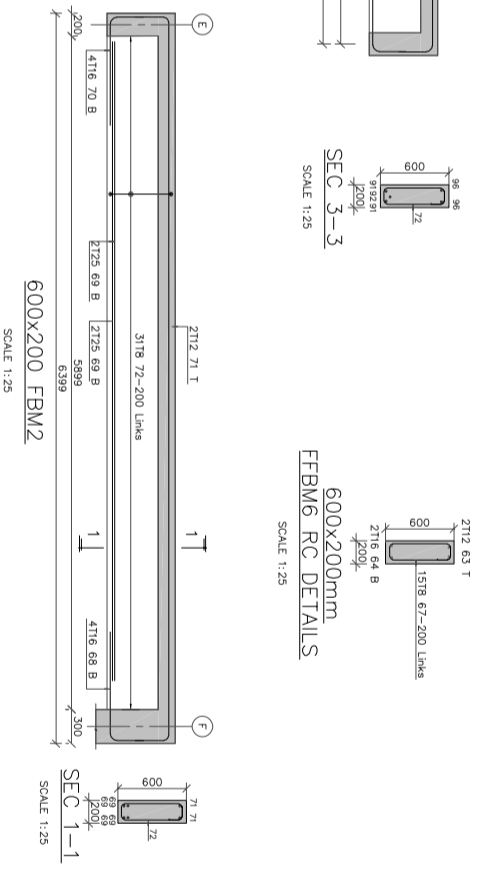
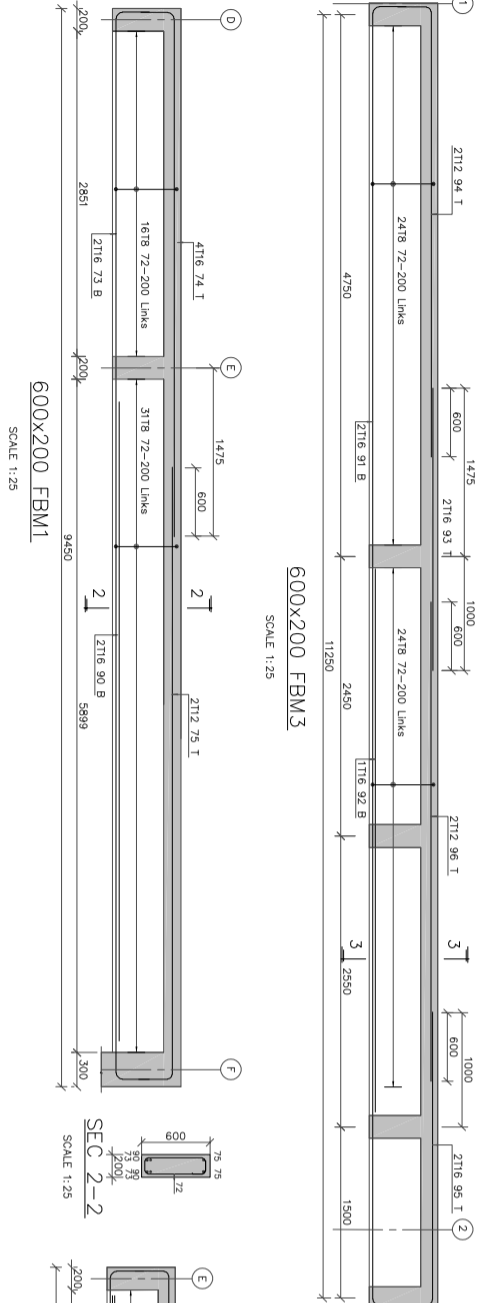
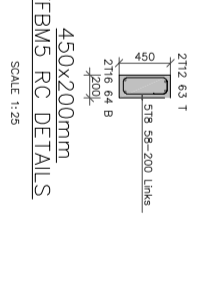
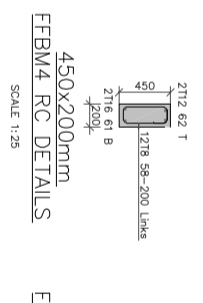
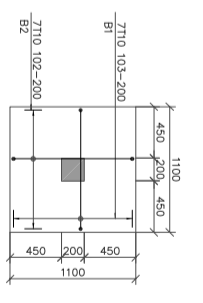
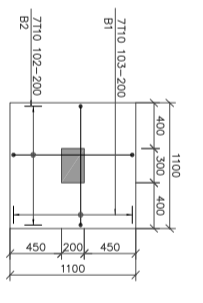
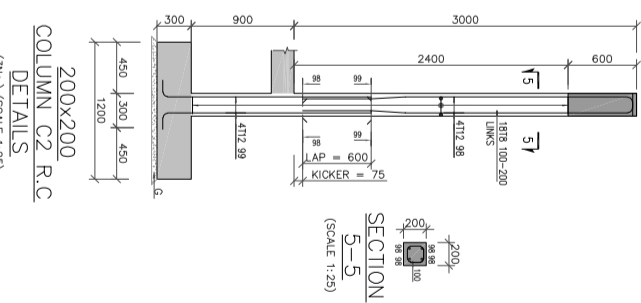
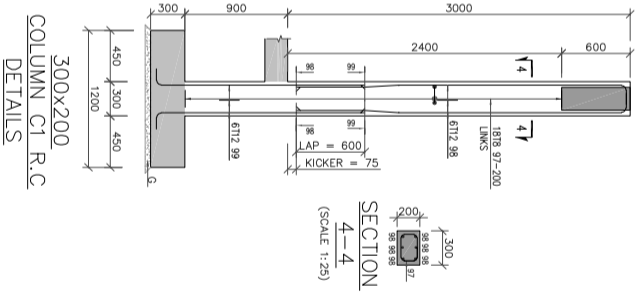


**NOTES**

1. READ THIS DRAWING IN CONJUNCTION WITH RELEVANT G.A., SERVICES AND ARCHITECTURAL DRAWINGS
2. ALL DIMENSIONS ARE IN MILLIMETRES
3. REINFORCED CONCRETE, CLASS 25/20



**FIRST FLOOR RC DETAILS**  
SCALE 1:50



**FOR TENDER**

REV	R E V I S I O N S	BY	SRN	DATE	APPROVED
T3	CHECKED	BY			
T2	CHECKED	BY			
T1	CHECKED	BY			
T0	FOR TENDER	BY			

Project		PROPOSED REHABILITATION OF THE RESOURCE CENTER-KAREN ROSES JOINT BODY	
Architect		Civ/Structural & Building Services Engineers	
Drawing Title			
Designed by	Drawn by	Checked by	Approved by
Scale	Date	Job No.	ACAD File:
T0	DRG No.	0002	REV